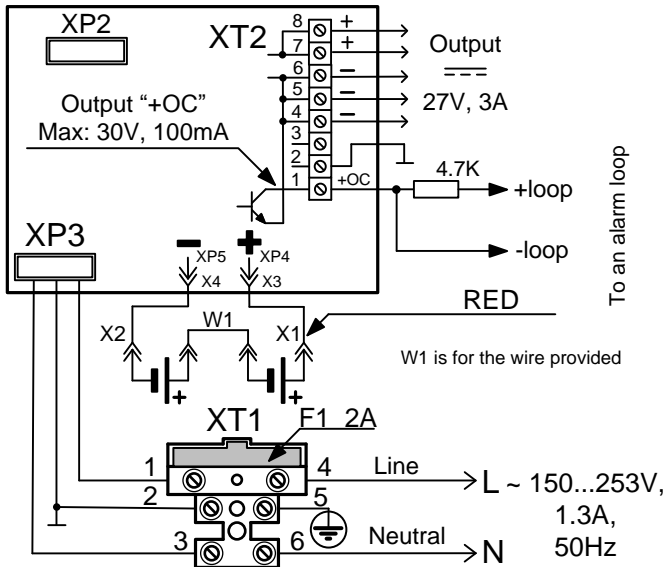


# RIP-24 Mod.01 (RIP-24-3/7M4) Connection Diagram



To an alarm loop

## **WARNING !**

**In order to avoid an electrical shock**

1. Connect the protective ground to the XT1/5 terminal and the LINE wire to the XT1/4 terminal
2. Always do shut off 220V and remove F1 fuse before installing or replacing backup batteries

## **How to Turn Power Supply On**

1. Connect the batteries as shown in the diagram using the wire provided
2. Insert the F1 fuse provided
3. Turn on mains power 220V

## **How to Turn Power Supply Off**

1. Turn off mains power 220V
2. Remove the F1 fuse
3. Disconnect X1 and X2 terminals from the batteries