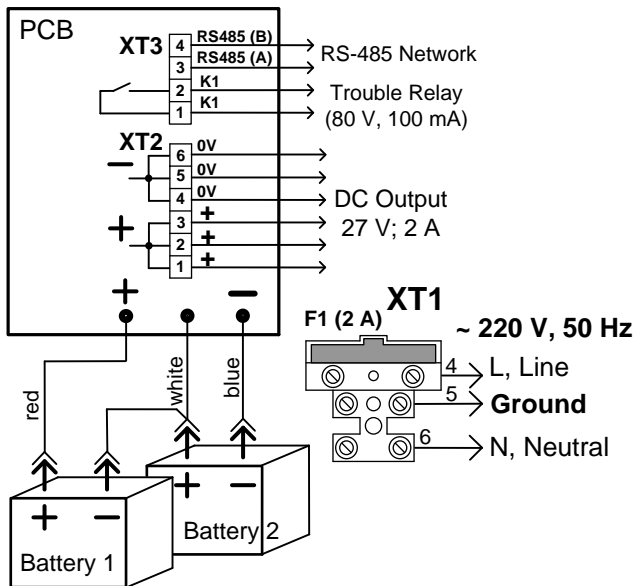


# RIP-24-2/7M4-R-RS (RIP-24 mod. 50) Connection Diagram



## WARNING

**In order to avoid electrical shock**

1. Connect the protection ground to the XT1:5 terminal
2. Do shut off 220 V and remove the F1 fuse before installing and replacing the backup batteries

## Operation Sequence

1. Remove the F1 fuse and connect the RIP to the 220V AC line by coupling the Line terminal to XT1:4
2. Connect the batteries
3. Insert the F1 fuse (2 A)
4. Turn on mains power 220V

## Shutdown Sequence

1. Shut off mains power 220 V
2. Remove the F1 fuse
3. Disconnect batteries from their terminals

**BOLID**®

The Bolid Company Tel./Fax: +7 (495) 775-71-55  
(multichannel)