



S2000-AR1

Addressable Single-Input Module

REVISION 04

INSTRUCTION MANUAL



GENERAL

The S2000-AR1 Addressable Single-Input Module (hereinafter referred to as the S2000-AR1 or the module) is designed to connect a conventional fire or intrusion detector (with normally-open or normally-closed contacts) into the multiplex addressable Polling Loop (PL) of an S2000-KDL controller. Being housed within the interfaced detector's enclosure, the S2000-AR1 receives control signals from the detector's alarm and tamper outputs returning specific statuses to the S2000-KDL.

The S2000-AR1 module is supplied with power and communicates data with the S2000-KDL over the polling loop.

The S2000-AR1 module of revision 04 supports DPLS_v2.xx data communication protocol providing measuring voltage of the polling loop at the point of its location.

The S2000-AR1 module of revision 04 provides controlling the LED of the interfaced detector in response to the S2000-KDL commands.

The S2000-AR1 is designed for round-the-clock operating.

SPECIFICATIONS

Input Voltage (over the polling loop)

8 ÷ 10 VDC

Current Consumption (over the polling loop)

0.6 mA max

Pre-Operation Time

15 s max

Operating Temperatures

-30 to +50°C

Transport / Storage Temperatures

-50 to +50°C

Ingress Protection Rating

IP41

Humidity

93% at 40°C, non-condensing

Overall Dimensions

14 mm × 16 mm × 5 mm max

Weight

5 g max

Average Lifetime

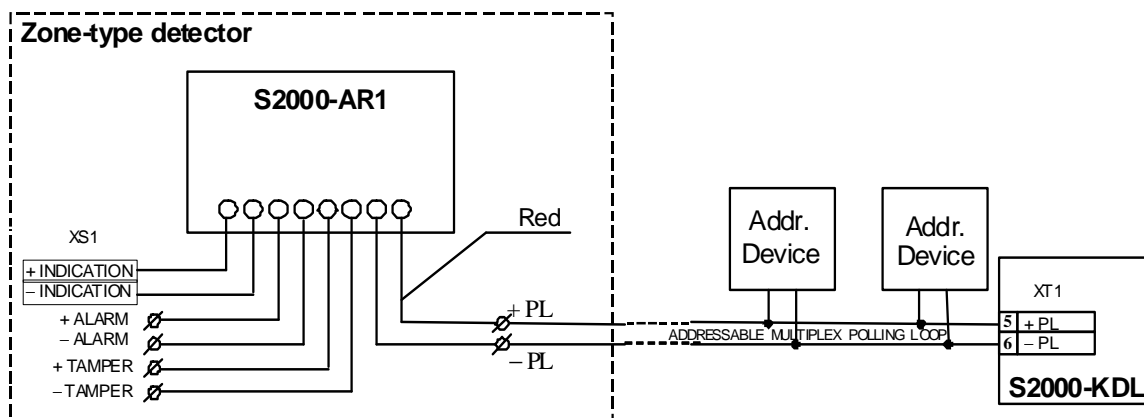
at least 8 years

STANDARD DELIVERY

Find the following unpacking the S2000-AR1:

- S2000-AR1 Modules
- 2 ECT UY Connectors
- This Instruction Manual (one per 10 S2000-AR1)

STANDARD WIRING DIAGRAM



The above diagram shows wiring the S2000-AR1 to the polling loop of the S2000-KDL as well as to the ALARM and TAMPER terminals of the interfaced conventional detector.

MOUNTING

The S2000-AR1 is housed within the enclosure of the interfaced zone-type detector.

Couple the ALARM terminals of the S2000-AR1 with the alarm output of the interfaced detector which returns alarm conditions by opening its contacts. Connect the TAMPER terminals of the S2000-AR1, if used, to the detector's tamper output, also opening its contacts upon tamper alarm conditions.

Connect XS1 terminal block with the indication control connector on the interfaced detector's PCB.

To connect the S2000-AR1 to the polling loop of the C2000-KDL, split +PL and –PL contacts of the flat cable and couple them with the relevant wires of the polling loop using ECT UY connectors provided. *Please couple the red wire of the flat cable with the positive polling loop wire.* Using pliers, crimp the coupled conductors to provide reliable contacts.

PROGRAMMING

In order the S2000-AR1 operates properly within the multiplex addressable polling loop of the S2000-KDL controller, the module must be assigned to a unique number from 1 to 127 within the polling loop. This number, or the loop address, is stored in the S2000-AR1 non-volatile memory. The default factory value of the module address is 127.

Moreover, a monitoring strategy must be defined which will be used by the S2000-KDL controller while processing signals received from the S2000-AR1.

Programming the S2000-AR1 Address within the S2000-KDL Polling Loop

An S2000-AR1 module is supplied with the default loop address of 127. This address value can be changed using either S2000(M) console tools or the UProg Configuration Tool.

In order to program the unique S2000-AR1 loop address, connect the module to a S2000-KDL controller which is in turns connected to a network controller (a S2000(M) console or PC under UProg software). Then send one of the following commands to the S2000-KDL controller (for getting more information see the relevant User's Manual):

<i>Change the Device Address</i>	Use the <i>Change the Device Address</i> command specifying the old module address and the new module address as the parameters (see more information in the referred Manuals). The network controller will display disconnecting the device with the old address and then detecting the device with newly programmed address
<i>Program the Device Address</i>	If the device address is unknown or two devices have the same address then use the <i>Program the Device Address</i> command specifying a required address as the parameter. Then open the detector enclosure and disconnect module's ALARM and TAMPER terminals from the detector outputs. Next, couple the positive module terminals +ALARM and +TAMPER. All the procedures should not last more than 5 seconds. The message about detecting the device with the newly assigned address shall be displayed by a network controller (S2000(M) or UProg Configuration Tool). Finally, uncouple module terminals +ALARM and +TAMPER and attach all the ALARM and TAMPER module terminals to the relevant outputs of the detector housing the S2000-AR1.

Programming the S2000-KDL to Operate the S2000-AR1

To handle signals from a S2000-AR1 correctly, the S2000-KDL controller the module is connected to must be programmed with the proper *Zone Type* parameters for this S2000-AR1.

To program the S2000-KDL, connect it to a PC under UProg Configuration Tool and follow the relevant programming instructions in accordance with the S2000-KDL User's Manual.

The zone of the S2000-KDL the S2000-AR1 is connected to can be programmed with one of the zone types: 3 (*Heat*), 4 (*Intrusion*), 5 (*Intrusion with Tamper Monitoring*), 6 (*Auxiliary*), 7 (*Entrance*), or 11 (*Panic*). Being programmed with the Zone Type 3 (Heat), the S2000-AR1 can generate only either Norm or Fire status.

S2000-AR1 ROUTINE TESTING

To test the S2000-AR1 module, arm its monitored circuit with the connected detector by means of a network controller (either S2000/S2000M console or Orion PC). To verify transferring detector's tamper alarm please ensure the Zone Type is set to 5 for this S2000-AR1 in the C2000-KDL configuration.

Then simulate the detector alarm response by uncoupling the ALARM terminals of the S2000-AR1. Ensure the network controller indicates a Fire Alarm or Intrusion Alarm for the monitored zone with the relevant loop address. Recover normal conditions and reset the alarm by means of the network controller.

Next, simulate the detector tampering response by uncoupling the TAMPER terminals of the S2000-AR1. Ensure the network controller indicates a Tamper Alarm for the relevant monitored zone. Recover normal conditions and reset the alarm by means of the network controller.

If the network controller has displayed no intrusion / fire / tamper alarms said above then the module is defective and must be replaced.

Then, disable detector indication by means of UProg tools. To do this, connect the S2000-KDL, which the S2000-AR1 is connected to with a PC under Uprog and read the S2000-KDL configuration (refer to the S2000-KDL User's Manual). Select the *Zones* tab and find the zone of the S2000-AR1 in question. Set the *Indication Control* parameter to the value of 0 ('Indication Disabled') and write the amended configuration to the S2000-KDL memory. Then simulate alarm and tamper responses ensuring the LED will not light. If so, the S2000-AR1 is qualified.

COMPATIBILITY

The table below shows a set of detectors which can be interfaced by the S2000-AR1.

Combined Detectors	Photoelectric Passive (Infrared) Detectors			
	Motion Detectors	Curtain Detectors	Linear Detectors	Ceiling Detectors
Sova – 2A (B)	Astra – 5A***	Ikar – 5B	Astra – 5V***	Astra – 7A(B)*
Sova – 3A (B)	Astra – 9**	Ikar – 4**	Foton – 16A	
Astra - 8	Astra – 512*	Optex RX – 40QZ		
Astra - 621	Astra – 511	Astra – 5B***		
	Foton - 12	Foton – 16B		
	Foton - 16			

NOTES: * - Locate S2000-AR1 on the opposite side of the detector terminals

** - Place S2000-AR1 under the detector PCB

*** - PLS-2 connector on the detector PCB can be deformed

BOLID ONE YEAR LIMITED WARRANTY

Bolid Company and its divisions and subsidiaries («Seller»), 4 Pionerskaya Str., Korolev 141070, Moscow Region, Russia warrants its security equipment (the «product») to be free from defects in materials and workmanship for one year from date of original purchase, under normal use and service. Seller's obligation is limited to repairing or replacing, at its option, free of charge for parts or labor, any product proven to be defective in materials or workmanship under normal use and service. Seller is not responsible for results where the product is used improperly, where it is used for any application it is not intended for, used under unacceptable environmental conditions and mishandled or stored under improperly. Seller shall have no obligation under this warranty or otherwise if the product is altered or improperly repaired or serviced by anyone other than the Seller. In case of defect, contact the security professional who installed and maintains your security equipment or the Seller for product repair.

This one year Limited Warranty is in lieu of all other express warranties, obligations or liabilities. There are no express warranties, which extend beyond the face hereof. Any implied warranties, obligations or liabilities made by seller in connection with this product, including any implied warranty of merchantability, or fitness for a particular purpose or otherwise, are limited in duration to a period of one year from the date of original purchase. Any action for breach of any warranty, including but not limited to any implied warranty of merchantability, must be brought within 12 months from date of original purchase. In no case shall seller be liable to anyone for any consequential or incidental damages for breach of this or any other warranty, express or implied, or upon any other basis of liability whatsoever, even if the loss or damage is caused by the seller's own negligence or fault. Some countries do not allow limitation on how long an implied warranty lasts or the exclusion or limitation of incidental or consequential damages, so the above limitation or exclusion may not apply to you.

Seller does not represent that the product may not be compromised or circumvented; that the product will prevent any personal injury or property loss by burglary, robbery, fire or otherwise; or that the product will in all cases provide adequate warning or protection. Buyer understands that a properly installed and maintained alarm may only reduce the risk of a burglary, robbery, fire or other events occurring without providing an alarm, but it is not insurance or guarantee that such will not occur or that there will be no personal injury or property loss as a result. CONSEQUENTLY, SELLER SHALL HAVE NO LIABILITY FOR ANY PERSONAL INJURY, PROPERTY DAMAGE OR OTHER LOSS BASED ON A CLAIM THE PRODUCT FAILED TO GIVE WARNING. HOWEVER, IF SELLER IS HELD LIABLE, WHETHER DIRECTLY OR INDIRECTLY, FOR ANY LOSS OR DAMAGE ARISING UNDER THIS LIMITED WARRANTY OR OTHERWISE, REGARDLESS OF CAUSE OR ORIGIN, SELLER'S MAXIMUM LIABILITY SHALL NOT IN ANY CASE EXCEED THE PURCHASE PRICE OF THE PRODUCT, WHICH SHALL BE THE COMPLETE AND EXCLUSIVE REMEDY AGAINST SELLER. This warranty gives you specific legal rights, and you may also have other rights which vary from country to country. No increase or alteration, written or verbal, to this warranty is authorized.



ZAo NVP Bolid, 4 Pionerskaya Str., Korolev 141070, Moscow Region, Russia

Phone/fax: +7 495 775 71 55

Email: info@bolid.ru, overseas@bolid.com

www.bolid.com